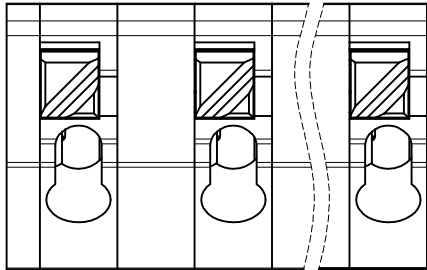


REV	DESCRIPTION	DRW.	DATE
00	初版发行	M.C.N	2023.08.28



Part No./料号说明:
F250-7.0-XXP-X

Poles/P数	Color/颜色
02: 2Poles	1: Brown/棕色
03: 3Poles	2: Red/红色
...	3: Orange/橙色
12: 12Poles	4: Yellow/黄色
	5: Green/绿色
	6: Blue/蓝色
	7: Purple/紫色
	8: Grey/灰色
	9: White/白色
	A: Black/黑色

Notes/备注:
1. Electrical properties/电气特性
UL Standard/UL 标准

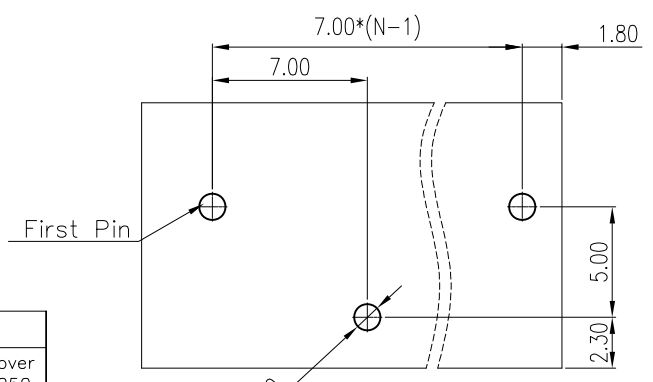
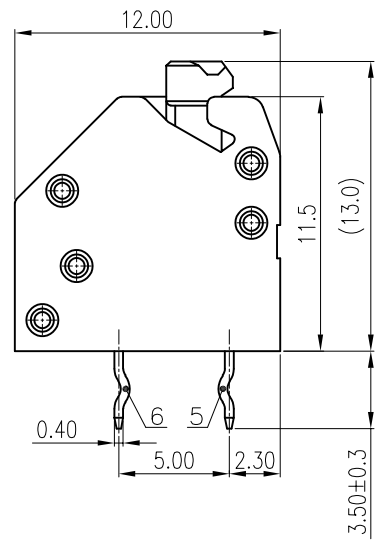
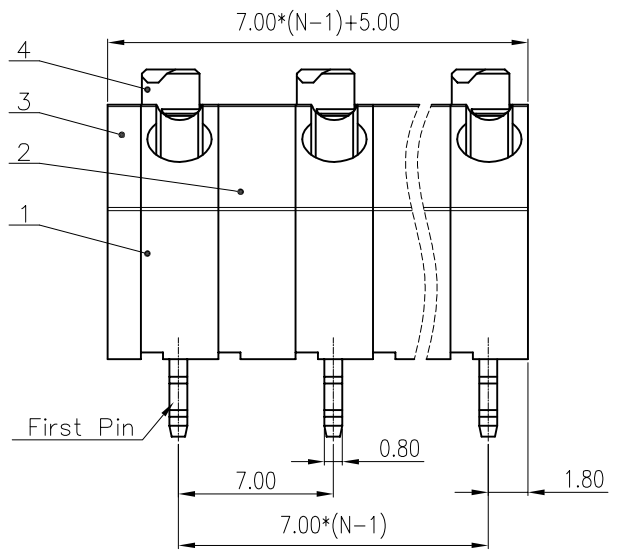
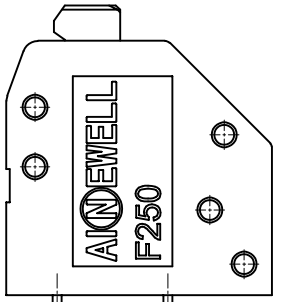
Use Group/应用组别	B	C	D
Rated Voltage/额定电压 (V)	300	150	300
Rated Current/额定电流 (A)	8	8	8
Withstanding voltage/工频耐电压	AC 1600V/1Min		

IEC Standard/IEC 标准
Rated Voltage/额定电压 (V): 630
Rated Current/额定电流 (A): 10

Overvoltage Category/过电压类别 /Pollution Degree/污染等级	II/2	III/2	III/3
Voltage/电压 (V)	1000	630	500
Rated Impulse Voltage/冲击耐电压(KV)	6	6	6

2. Connection data/连接数据
Wire range/线径范围(AWG/mm²): 22~16/0.2~1.5
Stripping length/剥线长度(mm): 8~9
3. Environmental safety/环境安全
Operating temperature/工作温度范围(°C): -40~+105
RoHS compliant/符合RoHS环保要求

ITEM	NAME OF PART	MATERIAL	NOTES
6	SOLDER PIN 2 端子 2	Copper Alloy	Sn Plated
5	SOLDER PIN 1 端子 1	Copper Alloy	Sn Plated
4	LEVER 手柄	PA66	UL94 V-0
3	COVER 盖板	PA66	UL94 V-0
2	HOUSING 隔板	PA66	UL94 V-0
1	HOUSING 主体	PA66	UL94 V-0



Nominal dimension Tolerances (mm)							
0	over 18	over 30	over 50	over 80	over 120	over 180	over 250
to 18	to 30	to 50	to 80	to 120	to 180	to 250	to 320
±0.25	±0.3	±0.35	±0.5	±0.7	±0.9	±1.0	±1.2

APP.	DATE:	PART NO.: F250-7.0-XXP-X	
CHK.	DATE:		
DRW. M.C.N	DATE: 2023.08.28	DRAWING TYPE: Customer Drawing	
PROJECTION		UNITS: mm	SCALE: 4:1
		SHEET/OF: 1/1	
AINEWELL		昆山艾尼维尔电子有限公司 KUN SHAN AINEWELL ELECTRONICS CO.,LTD	