

REV	DESCRIPTION	DRW.	DATE
00	初版发行	M.C.N	2024.06.24

Notes/备注:

1. Electrical properties/电气特性

UL Standard/UL标准	Use Group/应用组别	B	C	D
Rated Voltage/额定电压 (V)	600	600	600	600
Rated Current/额定电流 (A)	35	35	35	5
Withstanding voltage/工频耐压	AC 2200V/1min			

IEC Standard/IEC标准

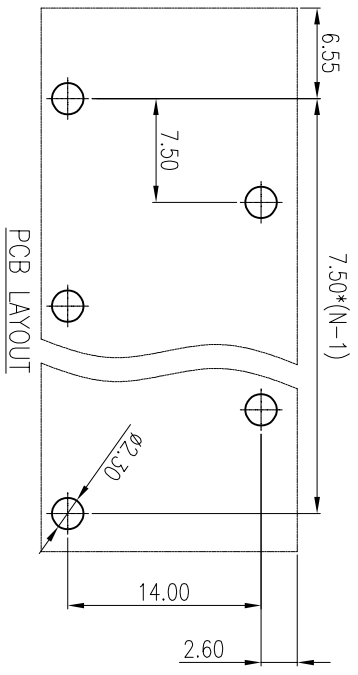
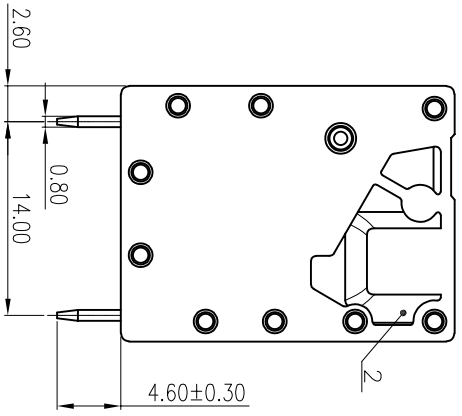
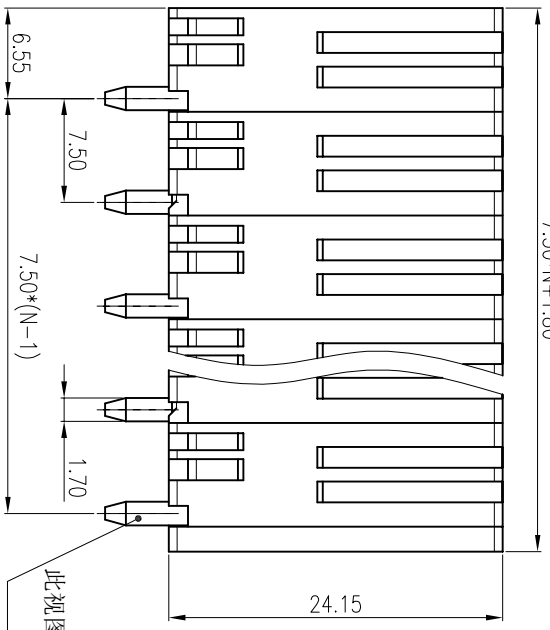
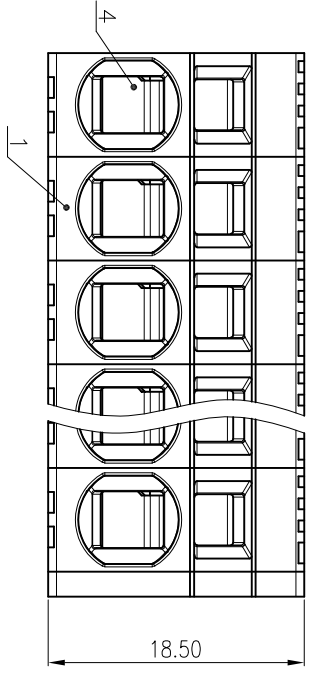
Rated Voltage/额定电压 (V):	1000		
Rated Current/额定电流 (A):	41		
Overvoltage Category/过电压类别 / Pollution Degree/污染等级	II/2	III/2	III/3
Voltage/电压 (V)	1000	1000	800
Rated Impulse Voltage/冲击电压 (kV)	8	8	8

2. Connection data/连接数据

Wire range/线径范围 (AWG/mm²): 24~8/0.2~6
Stripping length/剥线长度 (mm): 15

3. Environmental safety/环境安全

Operating temperature/工作温度范围 (°C): -40~+105
RoHS compliant/符合RoHS环保要求



Nominal dimension		Tolerances (mm)	
0 over to 18 to 30	0 over to 30 to 50	0 over to 80 to 120	0 over to 180 to 250
±0.25	±0.35	±0.7	±1.0
18 to 30	50 to 80	120 to 180	180 to 250
±0.3	±0.5	±0.9	±1.2

APP. M.X.B DATE: 2024.06.24
CHK. C.W DATE: 2024.06.24
DRW. M.C.N DATE: 2024.06.24

PROJECTION

UNITS: mm SCALE: 2.5:1 SHEET/OF: 1/1

DARWING TYPE: Customer Drawing

PART NO: F011V-7.5-XXP-X

ITEM NAME OF PART MATERIAL NOTES

6	SOLDER PIN 2 端子2	Copper Alloy	Sn Plated
5	SOLDER PIN 1 端子1	Copper Alloy	Sn Plated
4	SPRING 弹片	Stainless steel	/
3	COVER 盖板	PA66	UL94 V-0
2	HOUSING 2 主体2	PA66	UL94 V-0
1	HOUSING 1 主体1	PA66	UL94 V-0

APP. M.X.B DATE: 2024.06.24
CHK. C.W DATE: 2024.06.24
DRW. M.C.N DATE: 2024.06.24

PROJECTION

UNITS: mm SCALE: 2.5:1 SHEET/OF: 1/1

DARWING TYPE: Customer Drawing

PART NO: F011V-7.5-XXP-X

ITEM NAME OF PART MATERIAL NOTES



昆山艾尼维尔电子有限公司
KUN SHAN AINWELL ELECTRONICS CO.,LTD